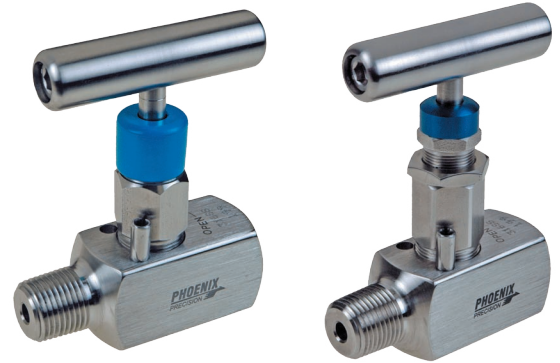


10,000 PSI NEEDLE VALVE

3/16" Bore 10,000 psi Needle Valve

Phoenix's certified 10,000 psi needle valve is proof tested to 20,000 psi and burst tested to 53,000 psi without yield, as per ASME Section VIII, MSS SP-99 and MSS SP-105. These valves feature packing below the threads, back seating capability, blowout proof stems and large 'T' handles for comfort and easy operation.



Special Features

Proof tested to 20,000 psi, burst tested to 53,000 psi without yeild



Benefits

Certified 10,000 psi valve rating, CRN No. 0C06740.2

Standard Features

Hydrotested at 150% of rated pressure (shell test). Nitrogen gas tested to 2000 psi.



Benefits

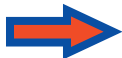
Complies with ASME B31.1 & B31.3 shell testing procedures as standard. Ensures structural integrity of valve.

Seat tightness (zero leakage) verified to 110% of rated pressure. Nitrogen gas tested to 2000 psi.



Complies with ASME B31.1 & B31.3 seat testing procedures as standard. Ensures zero leakage at seats for proper calibration.

Packing below stem threads



Prevents corrosion of critical stem threads

Metal body-to-bonnet seals are in compression, not tension



Mitigates risk of stress cracking

Stem threads are rolled, not cut



Higher quality stem for longer service life

8 RMS stem finish



Extended packing life

V-Style Teflon[™] packing



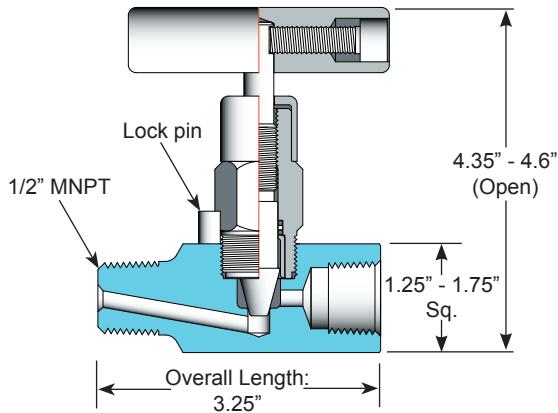
30-40% less operational torque and less frequent packing adjustments than traditional Teflon[™] packed valves

Pressure component materials sourced from the US, Canada or Europe



Reliable material traceability. MTR's provided with every order for pressure containing components.

O-Ring Bonnet Assembly

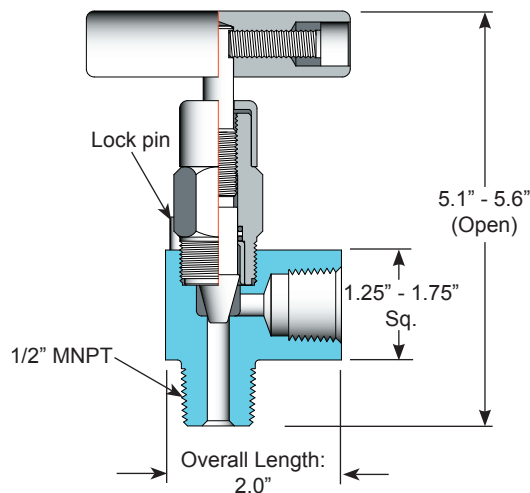


Specifications:

Type: **P3N10H** Valve, Globe Pattern
 Rating: Up to 10,000 psi @ 100°F (68950 kPa @ 38°C)
 Stem: Needle tip (Standard), Ball tip (Optional)
 Packing: VitonTM, AflasTM O-ring or TeflonTM
 Seat: Integral
 Handle: Removable
 Bore Size: 3/16"
 Inlet Connections: 1/4" to 3/4"NPT, 1" for male only
 Outlet Connections: 1/4" to 3/4"NPT
 Bonnet Lock: Pin or Plate
 Body Stock: 1.25" - 1.75" sq
 Weight: 1.1 - 3.3 lbs
 Special Service: O₂ or CL cleaning available*

*Other specifications or services may be available.

Angle Body Assembly

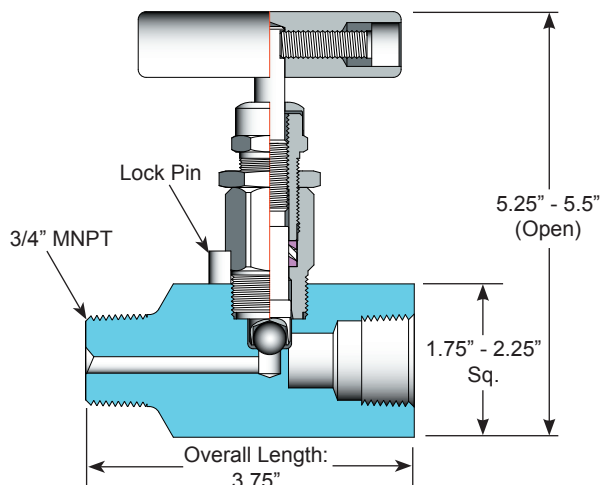


Specifications:

Type: **P3NA10H** Valve, Globe Pattern
 Rating: Up to 10,000 psi @ 100°F (68950 kPa @ 38°C)
 Stem: Needle tip (Standard), Ball tip (Optional)
 Packing: VitonTM, AflasTM O-ring or TeflonTM
 Seat: Integral
 Handle: Removable
 Bore Size: 3/16"
 Inlet Connections: 1/4" to 3/4"NPT
 Outlet Connections: 1/4" to 3/4"NPT
 Bonnet Lock: Pin or Plate
 Body Stock: 2.0" - 2.5" Flat bar
 Weight: 1.1 - 2.1 lbs
 Special Service: O₂ or CL cleaning available*

*Other specifications or services may be available.

Packed Bonnet Assembly



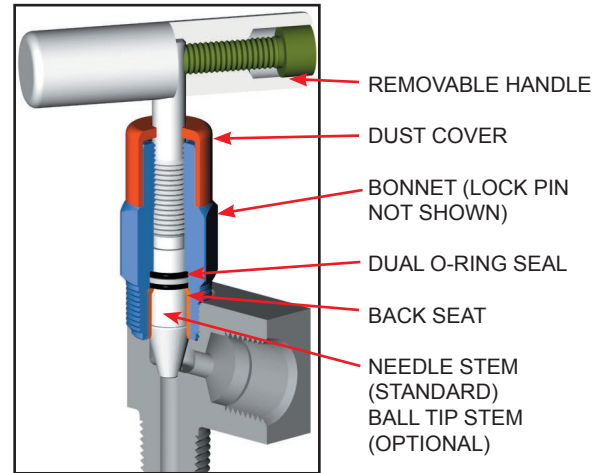
Specifications:

Type: **P3N10H** Valve, Globe Pattern
 Rating: Up to 10,000 psi @ 100°F (68950 kPa @ 38°C)
 Stem: Needle tip (Standard), Ball tip (Optional)
 Packing: VitonTM, AflasTM O-ring or TeflonTM
 Seat: Integral
 Handle: Removable
 Bore Size: 3/16"
 Inlet Connections: 1/4" to 1" NPT
 Outlet Connections: 1/4" to 1" NPT
 Bonnet Lock: Pin or Plate
 Body Stock: 1.75" - 2.25" sq
 Weight: 1.1 - 3.9 lbs
 Special Service: O₂ or CL cleaning available*

*Other specifications or services may be available.

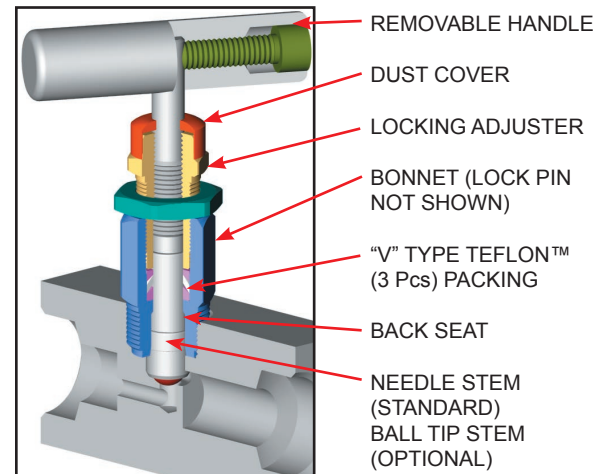
O-Ring Bonnet Assembly

Standard Materials					
Valve	Body	Bonnet	Stem	Ball	Packing
CS	ASTM A108CS	ASTM A108CS	ASTM A582 303SS	SEE OPTION CODES ON PAGE 4	Dual Viton™ O-ring with Teflon™ backup ring
SC	ASTM A105CS	ASTM A182 316SS	ASTM A182 316SS		
316SS	ASTM A182 316SS	ASTM A182 316SS	ASTM A182 316SS		

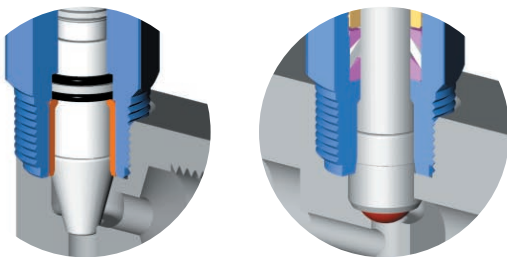


Packed Bonnet Assembly

Standard Materials					
Valve	Body	Bonnet	Stem	Ball	Packing
CS	ASTM A108CS	ASTM A108CS	ASTM A582 303SS	SEE OPTION CODES ON PAGE 4	Teflon™
SC	ASTM A105CS	ASTM A182 316SS	ASTM A182 316SS		
316SS	ASTM A182 316SS	ASTM A182 316SS	ASTM A182 316SS		

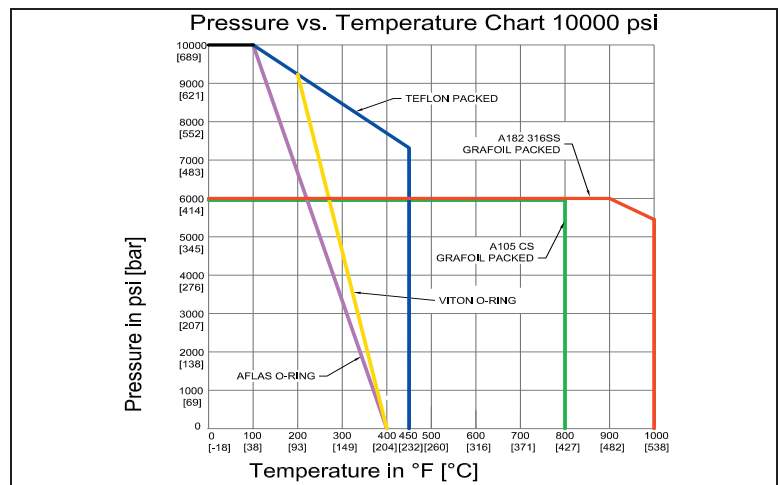


Stem and Seat Configurations



Needle Tip (Standard)

Ball Tip (Optional)



Note: Body material specifications based on ASME B16.34 - 2009. Packing material ratings based on manufacturer's specifications. Approximations only. Phoenix does not represent these values as finite. They are provided only as representative values.

Phoenix	Orifice Size	Type	Inlet Size	Inlet Type	Outlet Size	Outlet Type	Material	Packing	Seat	Stem Tip	Option Codes	Description
P	3=3/16"	N10H	4=1/4"	F=FNPT	4=1/4"	F=FNPT	SS=ASTM A182 316/316L	A=Aflas TM	Integral (leave blank)	Needle Tip Standard (leave blank)	LB	Bonnet Lock
		NL10H**	6=3/8"	M=MNPT	6=3/8"	M=MNPT	SC=ASTM A105 CS*	V=Viton TM (FKM)		B=316SS Ball Tip	CC	Chlorine Clean
		NXL10H**	8=1/2"		8=1/2"		CS=ASTM A108 CS*	T=Teflon TM (PTFE)		BC=Ceramic Ball Tip	OC	Oxygen Clean
		NA10H= Angle Body	12=3/4"		12=3/4"		C5=ASTM A350 LF2			BM=Monel TM Ball Tip	TG	SS Tag
		N10HD= Heavy Duty	16=1"		16=1"		N4=Monel TM 400				SGI	Sour Gas ISO NACE Latest Rev.
							N6=Inconel TM 625				N4	Monel TM 400 Stem
							N8=Inconel TM 825				N5	Monel TM 500 Stem
							N2=Hastelloy TM C276				N6	Inconel TM 625 Stem
											N8	Inconel TM 825 Stem
											N2	Hastelloy TM C276 Stem
EXAMPLE: P3N10H8M8FCSV = Phoenix, 3/16" Orifice, N10H, 1/2" MNPT Inlet, 1/2" FNPT Outlet, A108 CS Body, FKM Packing, Integral Seat, Needle Tip Stem												
P	3	N10H	8	M	8	F	CS	V				
*For code applications, A108 CS is unacceptable, A105 CS must be selected for CS valves. **NL10H for extended length valve body, NXL10H for extra extended length valve body, consult Phoenix Precision for details.												
Note: This model is available in GrafoilTM packing at a 6000 psi rating.												

Use with Confidence, Phoenix Precision Products Meet the Following Specifications:

- ✓ ASME B31.1 Power Piping
- ✓ ASME B31.3 Process Piping
- ✓ ASME B16.34 Valves - Flanged, Thread, and Welding End
- ✓ API 598 Valve Inspection and Testing
- ✓ MSS SP-25 Standard Marking Systems for Valves, Fittings and Flange Unions
- ✓ MSS SP-99 Instrument Valves
- ✓ MSS SP-105 Instrument Valves for Code Applications
- ✓ NACE MR0175 for all 316SS valves and A105CS body/316SS bonnet (SC Material Code)

Seal and Seat Material Temperature Rating

Code	Description	MIN. TEMP	MAX. TEMP
A	Aflas TM	15°F (-10°C)	400°F (204°C)
V	Viton TM	-20°F (-29°C)	400°F (204°C)
T	Teflon TM	-65°F (-54°C)	450°F (232°C)

For further information please contact:



Phoenix Precision Ltd.
2620 21st Street N.E.
Calgary, Alberta T2E 7L3
Phone:(403) 291-3154
Fax: (403) 291-3292
email: phoenix@phoenixprecision.ca
www.phoenixprecisionvalves.com

Distributor / Representative:

Phoenix Precision Ltd. (PPL) provides the information herein in good faith but makes no representation as to its comprehensiveness or accuracy. The information contained herein is intended only as a guide to PPL products and services. Individuals using information must exercise independent judgment in evaluating product selection and determining product appropriateness for their particular purpose and system requirements. PPL MAKES NO REPRESENTATIONS OR WARRANTIES, EITHER EXPRESS OR IMPLIED, INCLUDING WITHOUT LIMITATION ANY WARRANTIES OF MERCHANTABILITY OR FITNESS FOR A PARTICULAR PURPOSE WITH RESPECT TO THE INFORMATION SET FORTH HEREIN OR THE PRODUCT(S) TO WHICH THE INFORMATION REFERS. ACCORDINGLY, PPL WILL NOT BE RESPONSIBLE FOR DAMAGES (OF ANY KIND OR NATURE, INCLUDING INCIDENTAL, INDIRECT, OR CONSEQUENTIAL DAMAGES) RESULTING FROM THE USE OF OR RELIANCE UPON THIS INFORMATION. Patents and Patents Pending in the U.S. and foreign countries. PPL reserves the right to change product designs and specifications without notice.

DELTRIN, TEFLON, VITON and TEFLON are registered trademarks (hereinafter referred to as TM) of E.I. Du Pont De Nemours and Company Corporation. PEEK is a registered TM of Whitford Worldwide Company and Whitford B.V. KEL-F is a registered TM of M.W. Kellogg Company. GRAFOIL is a registered TM of High Temperature Materials Inc. and Graftech INC. Corporation. AFLAS is a registered TM of Asahi Glass Co. Ltd. Corporation Japan. MONEL and INCONEL are registered TMs of Huntington Alloys Corporation. HASTELLOY is a registered TM of Haynes International, Inc.

© 2013 by Phoenix Precision Ltd. All rights reserved. Material in this brochure or catalogue may not be reproduced in whole or in part, in any form, without written permission from the publisher.