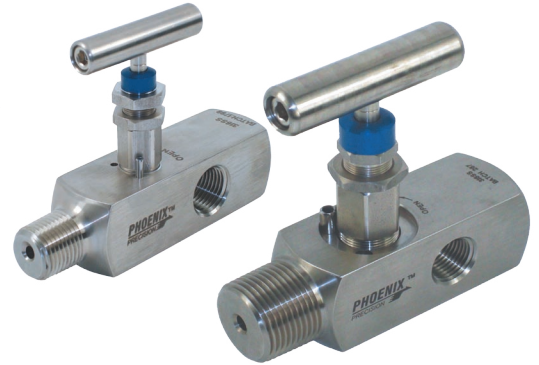


SOFT SEAT GAUGE VALVE

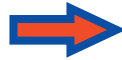
3/16", 1/4" and 3/8" Bore Soft Seat Gauge Valve

Soft seat gauge valves are designed for use with various instrumentation equipment and can be installed to control, isolate, measure, calibrate, equalize, drain or vent the pressure of gases and liquids. Phoenix's roddable, multiport gauge valves are of bar stock construction and are available in various materials, sizes, sealing styles, end connections and stem types. The main features of Phoenix gauge valves are robust stems, tapered stem tips, bubble tight seals, pinned bonnets with packing below the threads to prevent process contamination, and flexible mounting for both vertical and horizontal applications.



Standard Features

Hydrotested at 150% of rated pressure (shell test). Nitrogen gas tested to 2000 psi.



Seat tightness (zero leakage) verified to 110% of rated pressure. Nitrogen gas tested to 2000 psi.



Packing below stem threads



Metal body-to-bonnet seals are in compression, not tension



Stem threads are rolled, not cut



8 RMS stem finish



V-Style Teflon[™] packing



Pressure component materials sourced from the US, Canada or Europe



Benefits

Complies with ASME B31.1 & B31.3 shell testing procedures as standard. Ensures structural integrity of valve.

Complies with ASME B31.1 & B31.3 seat testing procedures as standard. Ensures zero leakage at seats for proper calibration.

Prevents corrosion of critical stem threads

Mitigates risk of stress cracking

Higher quality stem for longer service life

Extended packing life

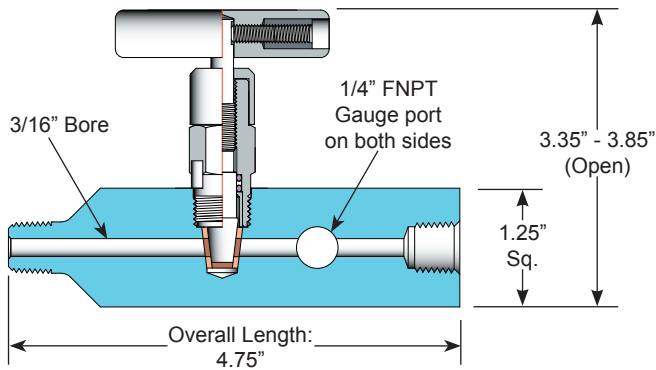
30-40% less operational torque and less frequent packing adjustments than traditional Teflon[™] packed valves

Reliable material traceability. MTR's provided with every order for pressure containing components.

PHOENIX™ P3G6S™, P4NGS™ and P6G6S™ Gauge Valve

PRECISION Technical Specifications

P3G6S Assembly

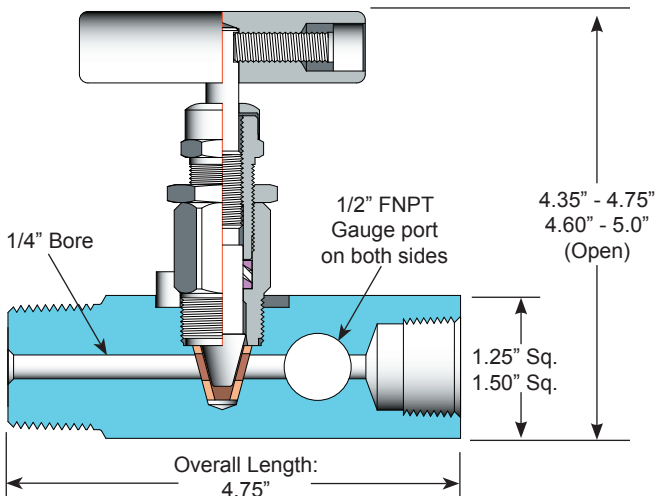


Specifications:

Type: **P3G6S** Gauge Valve, Roddable Pattern
 Rating: Up to 6000 psi @ 100°F (41370 kPa @ 38°C)
 Stem: Tapered Plug Tip
 Packing: Viton™, Aflas™ O-ring or Teflon™
 Seat: Delrin™
 Handle: Removable
 Bore Size: 3/16"
 Inlet Connections: 1/4" to 1/2" NPT, 3/4" for Male NPT Only)
 Outlet Connections: 1/4" to 1/2" NPT
 Bonnet Lock: Pin or Plate
 Body Stock: 1.25" square
 Weight: 1.6 - 1.8 lbs
 Special Service: O₂ or Cl cleaning available*

*Other specifications or services may be available.

P4G6S Assembly

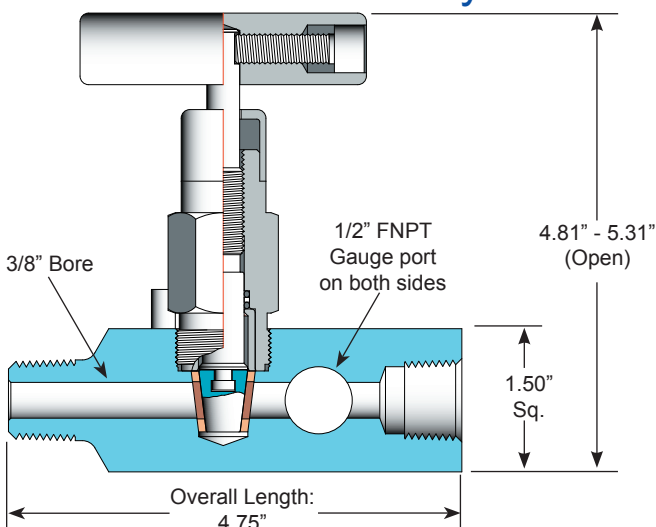


Specifications:

Type: **P4G6S** Gauge Valve, Roddable Pattern
 Rating: Up to 6000 psi @ 100°F (41370 kPa @ 38°C)
 Stem: Tapered Plug Tip
 Packing: Viton™, Aflas™ O-ring or Teflon™
 Seat: Delrin™
 Handle: Removable
 Bore Size: 1/4"
 Inlet Connections: 1/4" to 1/2", 3/4" NPT, 1" for Male NPT Only
 Outlet Connections: 1/4" to 1/2", 3/4"
 Bonnet Lock: Pin or Plate
 Body Stock: 1.25" or 1.50" square
 Weight: 2.3 - 2.9 lbs
 Special Service: O₂ or Cl cleaning available*

*Other specifications or services may be available.

P6G6S Assembly

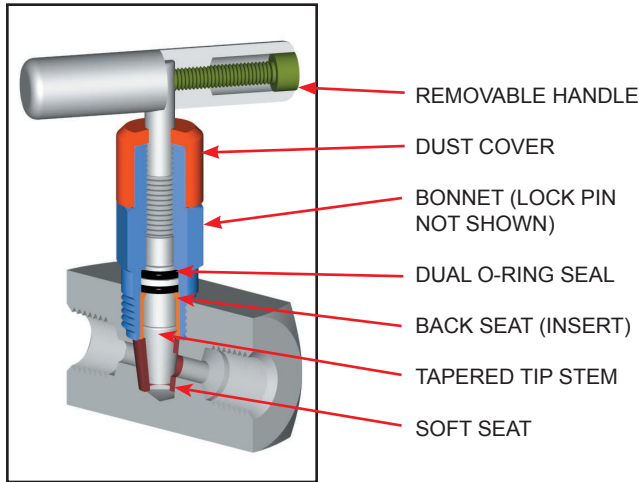


Specifications:

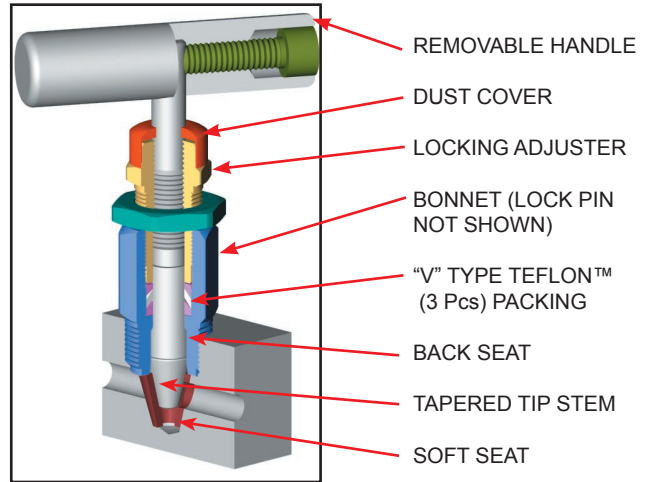
Type: **P6G6S** Gauge Valve, Roddable Pattern
 Rating: Up to 6000 psi @ 100°F (41370 kPa @ 38°C)
 Stem: Non-rotating Tapered Plug Tip
 Packing: Viton™, Aflas™ O-ring or Teflon™
 Seat: Delrin™, Tefzel™ (2000 psi Rating)
 Handle: Removable
 Bore Size: 3/8"
 Inlet Connections: 1/2" to 3/4" NPT, 1" for Male NPT Only
 Outlet Connections: 1/2" to 3/4" NPT
 Bonnet Lock: Pin or Plate
 Body Stock: 1.50" square
 Weight: 2.6 - 2.9 lbs
 Special Service: O₂ or Cl cleaning available*

*Other specifications or services may be available.

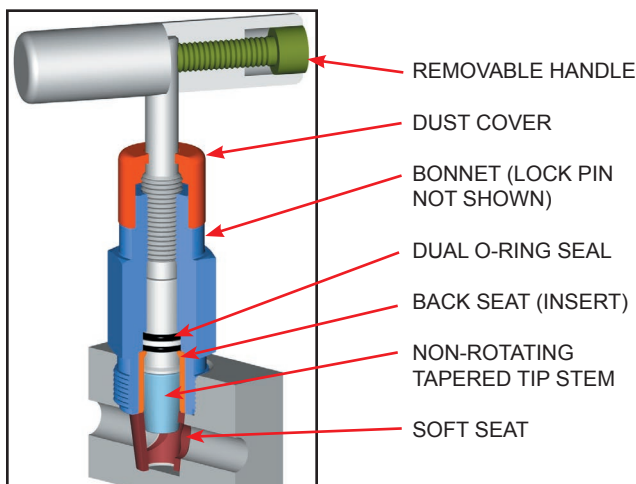
3/16" Bonnet Assembly



1/4" Bonnet Assembly



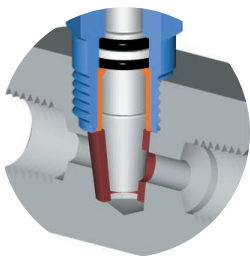
3/8" Bonnet Assembly



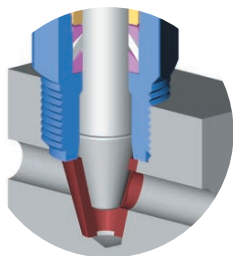
Materials of Construction

Code	SS	SC	CS
Body	ASTM A182 316SS	ASTM A105 CS	ASTM A108 CS
Bonnet	ASTM A182 316SS	ASTM A182 316SS	ASTM A108 CS
Stem	ASTM A182 316SS	ASTM A182 316SS	ASTM A582 303SS
Adjuster	ASTM A582 303SS	ASTM A582 303SS	ASTM A108 CS
Insert	ASTM A182 316SS	ASTM A182 316SS	ASTM A108 CS
Handle	ASTM A582 303SS	ASTM A582 303SS	ASTM A108 CS

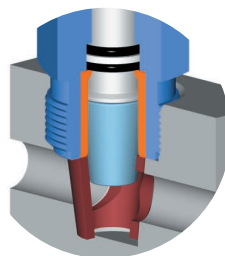
Stem and Seat Configurations



3/16" Bore

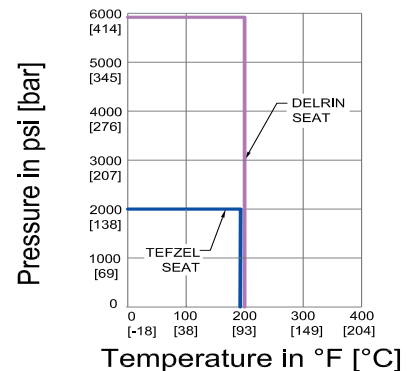


1/4" Bore



3/8" Bore

Pressure vs. Temperature Chart 6000 psi (Soft Seat)



Note: Packing material ratings based on manufacturer's specifications. Approximations only. Phoenix does not represent these values as finite. They are provided only as representative values.

PHOENIX™ P3G6S™, P4G6S™ and P6G6S™ Gauge Valve Model Numbering System

PRECISION 

Phoenix	Orifice Size	Type	Inlet Size	Inlet Type	Outlet Size	Outlet Type	Material	Packing	Seat	Stem Tip	Option Codes	Description
P	3=3/16"	G6S	4=1/4" (P3, P4 Only)	F=FNPT	4=1/4" (P3, P4 Only)	F=FNPT	SS=ASTM A182 316/316L	A=Aflas™	D=Delrin™	Tapered Plug Tip Standard (leave blank)	LB	Bonnet Lock
	4=1/4"		6=3/8" (P3, P4 Only)	M=MNPT	6=3/8" (P3, P4 Only)		SC=ASTM A105 CS*	V=Viton™ (FKM)	Z=Tefzel™ (P6 Only)		CC	Chlorine Clean
	6=3/8"		8=1/2"		8=1/2"		CS=ASTM A108 CS*	T=Teflon™ (PTFE)			OC	Oxygen Clean
			12=3/4" (Male only)		12=3/4" (P6G only)		C5=ASTM A350 LF2				TG	SS Tag
			16=1" (Male only)				N4=Monel™ 400				SGL	Sour Gas ISO NACE Latest Rev.
							N6=Inconel™ 625				RA (R)(B)	Round Handle Aluminum (Red) (Blue) (P3 Only)
							N8=Inconel™ 825				RC	Round Handle C.S. (P3 Only)
							N2=Hastelloy™ C276				RS	Round Handle S.S. (P3 Only)
EXAMPLE: P3G6S4M4FCSV = Phoenix, 3/16" Orifice, G6S, 1/4" MNPT Inlet, 1/4" FNPT Outlet, A108 CS Body, FKM Packing, Delrin™ Seat, Tapered Plug Tip Stem												
P	3	G6S	4	M	4	F	CS	V	D		PM	Panel Mount
*For code applications, A108 CS is unacceptable, A105 CS must be selected for CS valves. Note: includes 2 pipe plugs for gauge ports.												
											N4	Monel™ 400 Stem
											N5	Monel™ 500 Stem
											N6	Inconel™ 625 Stem
											N8	Inconel™ 825 Stem
											N2	Hastelloy™ C276 Stem

Use with Confidence, Phoenix Precision Products Meet the Following Specifications:

- ✓ ASME B31.1 Power Piping
- ✓ ASME B31.3 Process Piping
- ✓ ASME B16.34 Valves - Flanged, Thread, and Welding End
- ✓ API 598 Valve Inspection and Testing
- ✓ MSS SP-25 Standard Marking Systems for Valves, Fittings and Flange Unions
- ✓ MSS SP-99 Instrument Valves
- ✓ MSS SP-105 Instrument Valves for Code Applications
- ✓ NACE MR0175 for all 316SS valves and A105CS body/316SS bonnet (SC Material Code)

Seal and Seat Material Temperature Rating

Code	Description	MIN. TEMP	MAX. TEMP
A	Aflas™	15°F (-10°C)	400°F (204°C)
V	Viton™	-20°F (-29°C)	400°F (204°C)
T	Teflon™	-65°F (-54°C)	450°F (232°C)
D	Delrin™	-40°F (-40°C)	200°F (93°C)
Z	Tefzel™	-300°F (-185°C)	300°F (150°C)

For further information please contact:



Phoenix Precision Ltd.
2620 21st Street N.E.
Calgary, Alberta T2E 7L3
Phone:(403) 291-3154
Fax: (403) 291-3292
email: phoenix@phoenixprecision.ca
www.phoenixprecisionvalves.com

Distributor / Representative:

Phoenix Precision Ltd. (PPL) provides the information herein in good faith but makes no representation as to its comprehensiveness or accuracy. The information contained herein is intended only as a guide to PPL products and services. Individuals using information must exercise independent judgment in evaluating product selection and determining product appropriateness for their particular purpose and system requirements. PPL MAKES NO REPRESENTATIONS OR WARRANTIES, EITHER EXPRESS OR IMPLIED, INCLUDING WITHOUT LIMITATION ANY WARRANTIES OF MERCHANTABILITY OR FITNESS FOR A PARTICULAR PURPOSE WITH RESPECT TO THE INFORMATION SET FORTH HEREIN OR THE PRODUCT(S) TO WHICH THE INFORMATION REFERS. ACCORDINGLY, PPL WILL NOT BE RESPONSIBLE FOR DAMAGES (OF ANY KIND OR NATURE, INCLUDING INCIDENTAL, INDIRECT, OR CONSEQUENTIAL DAMAGES) RESULTING FROM THE USE OF OR RELIANCE UPON THIS INFORMATION. Patents and Patents Pending in the U.S. and foreign countries. PPL reserves the right to change product designs and specifications without notice.

DELTRIN, TEFLON and TEFLOX are registered trademarks (hereinafter referred to as TM) of E.I. Du Pont De Nemours and Company Corporation. PEEK is a registered TM of Whitford Worldwide Company and Whitford B.V. KEL-F is a registered TM of M.W. Kellogg Company. GRAFOIL is a registered TM of High Temperature Materials Inc. and Graftech INC. Corporation. AFLAS is a registered TM of Asahi Glass Co. Ltd. Corporation Japan. MONEL and INCONEL are registered TMs of Huntington Alloys Corporation. HASTELLOY is a registered TM of Haynes International, Inc.

© 2013 by Phoenix Precision Ltd. All rights reserved. Material in this brochure or catalogue may not be reproduced in whole or in part, in any form, without written permission from the publisher.